

照明器具配光データシート

| | |
|----|------------------|
| 名称 | フラットライト |
| 型式 | LEN-FH70D-SL-50K |

| 光源データ | |
|-----------|----------|
| 光源 | LED |
| 光束 | 10800 lm |
| 色温度 | 5000 K |
| 1/2 ビーム角 | 108° |
| 1/10 ビーム角 | 144° |

| 灯具仕様 | | | |
|-------------|-------------------------|------|------------|
| 定格電圧 | 100V/200V | 定格電流 | 0.72/0.37A |
| 消費電力 | 73W/72W | | |
| 固有エネルギー消費効率 | 147.9 lm/W , 150.0 lm/W | | |

| 最大取付間隔 | |
|--------|-------|
| A-A | 1.3 H |
| B-B | 1.3 H |

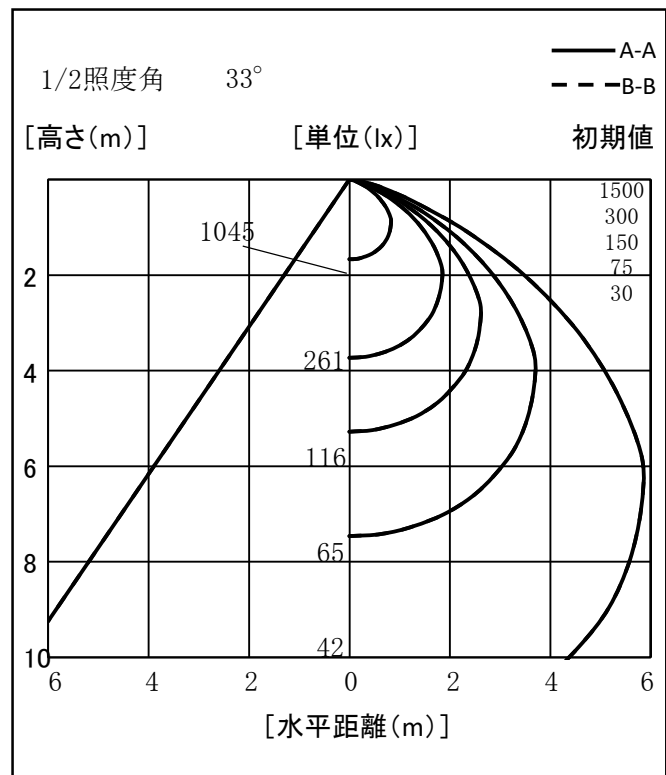
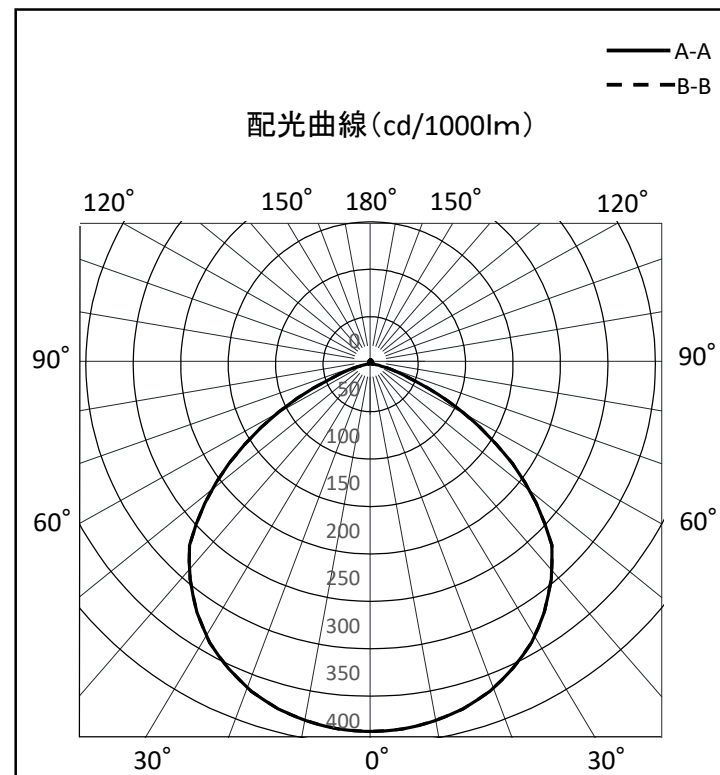
| 備考 | |
|----|--|
| | |

※ A:上下 B:左右

| 反射率 | 天井 | | | | 壁 | | | | 床 | | | | | | | | |
|-----|----|----|----|----|----|----|----|----|----|----|----|----|----|--|--|--|---|
| | 70 | 50 | 30 | 10 | 70 | 50 | 30 | 10 | 70 | 50 | 30 | 10 | | | | | |
| 80 | 80 | | | | 70 | | | | 50 | | | | 30 | | | | 0 |
| 70 | 70 | | | | 60 | | | | 50 | | | | 40 | | | | 0 |
| 60 | 60 | | | | 50 | | | | 40 | | | | 30 | | | | 0 |
| 50 | 50 | | | | 40 | | | | 30 | | | | 20 | | | | 0 |
| 40 | 40 | | | | 30 | | | | 20 | | | | 10 | | | | 0 |
| 30 | 30 | | | | 20 | | | | 10 | | | | 0 | | | | 0 |
| 20 | 20 | | | | 10 | | | | 0 | | | | 0 | | | | 0 |
| 10 | 10 | | | | 0 | | | | 0 | | | | 0 | | | | 0 |
| 0 | 0 | | | | 0 | | | | 0 | | | | 0 | | | | 0 |

| 室指数 | 照明率(×0.01) | | | | | | | | | | | | | | | | |
|------|------------|-----|-----|-----|-----|-----|-----|-----|-----|-----|----|----|----|----|----|----|----|
| | 60 | 49 | 41 | 36 | 59 | 48 | 41 | 36 | 57 | 47 | 41 | 36 | 55 | 46 | 40 | 36 | 34 |
| 0.6 | 60 | 49 | 41 | 36 | 59 | 48 | 41 | 36 | 57 | 47 | 41 | 36 | 55 | 46 | 40 | 36 | 34 |
| 0.8 | 70 | 59 | 52 | 46 | 68 | 58 | 51 | 46 | 66 | 57 | 51 | 46 | 63 | 56 | 50 | 46 | 44 |
| 1 | 76 | 67 | 60 | 55 | 75 | 66 | 59 | 54 | 72 | 64 | 59 | 54 | 70 | 63 | 58 | 54 | 52 |
| 1.25 | 82 | 74 | 67 | 62 | 81 | 73 | 67 | 62 | 78 | 71 | 66 | 62 | 76 | 70 | 65 | 61 | 59 |
| 1.5 | 87 | 79 | 73 | 68 | 85 | 78 | 73 | 68 | 82 | 76 | 72 | 67 | 80 | 75 | 70 | 67 | 65 |
| 2 | 92 | 86 | 81 | 77 | 91 | 85 | 81 | 77 | 88 | 84 | 80 | 76 | 86 | 82 | 78 | 75 | 73 |
| 2.5 | 96 | 91 | 87 | 83 | 94 | 90 | 86 | 83 | 92 | 88 | 84 | 82 | 89 | 86 | 83 | 81 | 78 |
| 3 | 98 | 94 | 90 | 87 | 97 | 93 | 89 | 86 | 94 | 91 | 88 | 85 | 92 | 89 | 86 | 84 | 82 |
| 4 | 100 | 97 | 94 | 92 | 99 | 96 | 93 | 91 | 97 | 94 | 92 | 90 | 94 | 92 | 90 | 89 | 86 |
| 5 | 102 | 99 | 97 | 95 | 101 | 98 | 96 | 94 | 98 | 96 | 94 | 92 | 96 | 94 | 92 | 91 | 88 |
| 10 | 105 | 103 | 102 | 101 | 103 | 102 | 101 | 100 | 101 | 100 | 99 | 98 | 99 | 98 | 97 | 96 | 93 |

| 光度値(cd/1000lm) | A | | B | |
|----------------|-----|-----|-----|-----|
| | 0 | 10 | 20 | 30 |
| 0 | 387 | 387 | 387 | 387 |
| 10 | 382 | 382 | 382 | 382 |
| 20 | 367 | 367 | 367 | 367 |
| 30 | 339 | 339 | 339 | 339 |
| 40 | 296 | 296 | 296 | 296 |
| 50 | 228 | 228 | 228 | 228 |
| 60 | 133 | 133 | 133 | 133 |
| 70 | 45 | 45 | 45 | 45 |
| 80 | 11 | 11 | 11 | 11 |
| 90 | 1 | 1 | 1 | 1 |
| 100 | 1 | 1 | 1 | 1 |
| 110 | 2 | 2 | 2 | 2 |
| 120 | 2 | 2 | 2 | 2 |
| 130 | 3 | 3 | 3 | 3 |
| 140 | 3 | 3 | 3 | 3 |
| 150 | 3 | 3 | 3 | 3 |
| 160 | 4 | 4 | 4 | 4 |
| 170 | 4 | 4 | 4 | 4 |
| 180 | 5 | 5 | 5 | 5 |



※LED素子にはバラツキがある為、発光色、明るさ等が異なる場合があります。

作成日 2021/04/6