

# 照明器具配光データシート

|    |                   |
|----|-------------------|
| 名称 | エースディスク 500W      |
| 型式 | L500W-P-AVS15-50K |

| 光源データ     |          |
|-----------|----------|
| 光源        | LED      |
| 光束        | 56200 lm |
| 色温度       | 5000 K   |
| 1/2 ビーム角  | 14°      |
| 1/10 ビーム角 | 38°      |

| 灯具仕様        |                       |      |           |
|-------------|-----------------------|------|-----------|
| 定格電圧        | 100V/200V             | 定格電流 | 4.9A/2.4A |
| 消費電力        | 492W/476W             |      |           |
| 固有エネルギー消費効率 | 114.2Lm/W , 118.0Lm/W |      |           |

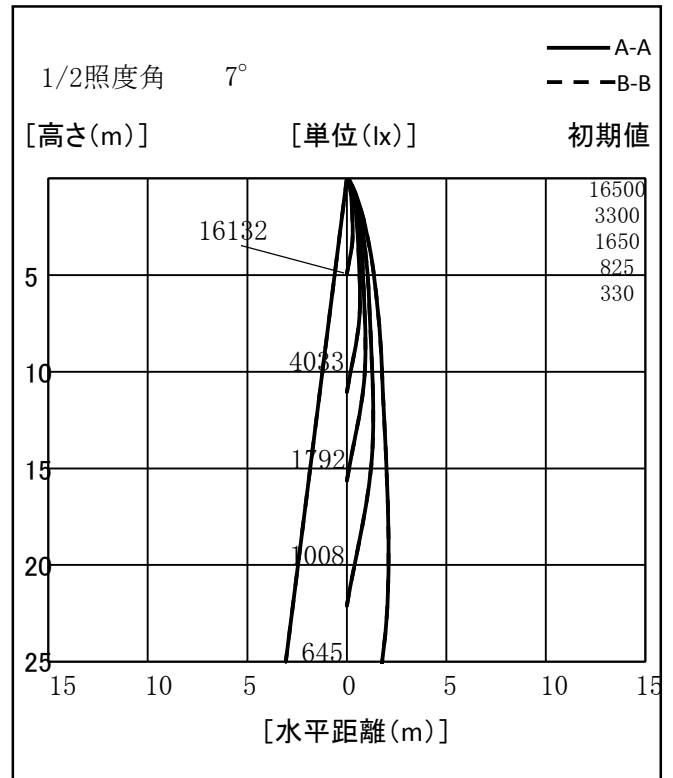
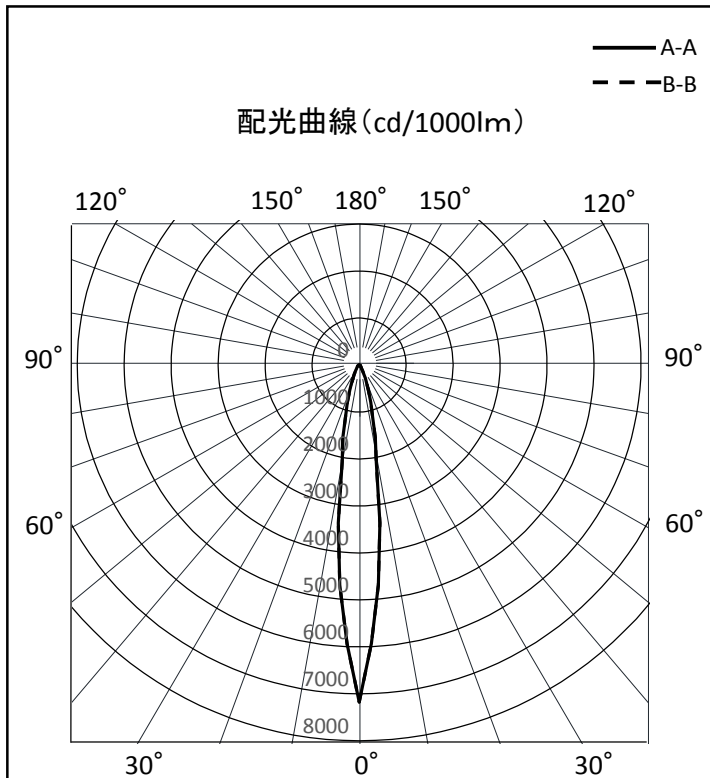
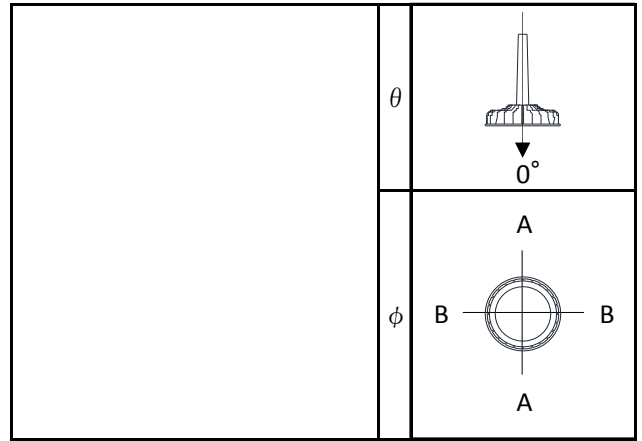
| 最大取付間隔 |        |
|--------|--------|
| A-A    | 0.25 H |
| B-B    | 0.25 H |

| 備考 |  |
|----|--|
|    |  |

※ A:上下 B:左右

| 反射率  | 天井         |     |     |    | 壁   |     |     |    | 床   |     |    |    | 照明率(×0.01) |    |    |    |    |
|------|------------|-----|-----|----|-----|-----|-----|----|-----|-----|----|----|------------|----|----|----|----|
|      | 70         | 50  | 30  | 10 | 70  | 50  | 30  | 10 | 70  | 50  | 30 | 10 | 70         | 50 | 30 | 10 |    |
| 天井   | 80         |     |     |    | 70  |     |     |    | 50  |     |    |    | 30         |    |    |    | 0  |
| 壁    | 70         | 50  | 30  | 10 | 70  | 50  | 30  | 10 | 70  | 50  | 30 | 10 | 70         | 50 | 30 | 10 | 0  |
| 床    | 10         |     |     |    | 10  |     |     |    | 10  |     |    |    | 10         |    |    |    | 0  |
| 室指数  | 照明率(×0.01) |     |     |    |     |     |     |    |     |     |    |    |            |    |    |    |    |
| 0.6  | 75         | 66  | 60  | 56 | 74  | 65  | 60  | 56 | 72  | 65  | 60 | 56 | 70         | 64 | 59 | 56 | 55 |
| 0.8  | 81         | 72  | 66  | 61 | 79  | 71  | 66  | 61 | 77  | 70  | 65 | 61 | 75         | 69 | 64 | 61 | 59 |
| 1    | 85         | 77  | 71  | 66 | 84  | 76  | 70  | 66 | 81  | 75  | 70 | 66 | 79         | 73 | 69 | 65 | 64 |
| 1.25 | 89         | 81  | 75  | 70 | 87  | 80  | 75  | 70 | 85  | 78  | 74 | 70 | 82         | 77 | 73 | 69 | 67 |
| 1.5  | 91         | 84  | 78  | 74 | 90  | 83  | 78  | 73 | 87  | 81  | 77 | 73 | 85         | 80 | 76 | 72 | 70 |
| 2    | 95         | 89  | 83  | 79 | 94  | 88  | 83  | 79 | 91  | 86  | 81 | 78 | 88         | 84 | 80 | 77 | 75 |
| 2.5  | 98         | 92  | 87  | 83 | 96  | 91  | 86  | 82 | 93  | 89  | 85 | 81 | 90         | 87 | 83 | 80 | 78 |
| 3    | 99         | 94  | 90  | 86 | 98  | 93  | 89  | 85 | 95  | 91  | 87 | 84 | 92         | 89 | 86 | 83 | 80 |
| 4    | 101        | 97  | 93  | 89 | 100 | 96  | 92  | 88 | 97  | 93  | 90 | 87 | 94         | 91 | 88 | 86 | 83 |
| 5    | 103        | 99  | 95  | 92 | 101 | 97  | 94  | 91 | 98  | 95  | 92 | 89 | 95         | 93 | 90 | 88 | 85 |
| 10   | 106        | 103 | 101 | 98 | 104 | 102 | 100 | 97 | 102 | 100 | 98 | 96 | 99         | 97 | 96 | 94 | 91 |

| 光度値(cd/1000lm) |      |      |
|----------------|------|------|
|                | A    | B    |
| 0              | 7176 | 7176 |
| 10             | 2090 | 2090 |
| 20             | 570  | 570  |
| 30             | 163  | 163  |
| 40             | 65   | 65   |
| 50             | 42   | 42   |
| 60             | 26   | 26   |
| 70             | 22   | 22   |
| 80             | 15   | 15   |
| 90             | 9    | 9    |
| 100            | 0    | 0    |
| 110            | 0    | 0    |
| 120            | 0    | 0    |
| 130            | 0    | 0    |
| 140            | 0    | 0    |
| 150            | 0    | 0    |
| 160            | 0    | 0    |
| 170            | 0    | 0    |
| 180            | 0    | 0    |



※LED素子にはバラツキがある為、発光色、明るさ等が異なる場合があります。

作成日 2017/05/23