

照明器具配光データシート

| | |
|----|------------------|
| 名称 | ハイディスク140W 高効率 |
| 型式 | L140W-P-HW-50K-N |

| 光源データ | |
|-----------|----------|
| 光源 | LED |
| 光束 | 20300 lm |
| 色温度 | 5000 K |
| 1/2 ビーム角 | 108° |
| 1/10 ビーム角 | 156° |

| 灯具仕様 | | | |
|-------------|-------------------|------|------------|
| 定格電圧 | 100V/200V | 定格電流 | 1.45A/0.7A |
| 消費電力 | 143W/141W | | |
| 固有エネルギー消費効率 | 142Lm/W , 144Lm/W | | |

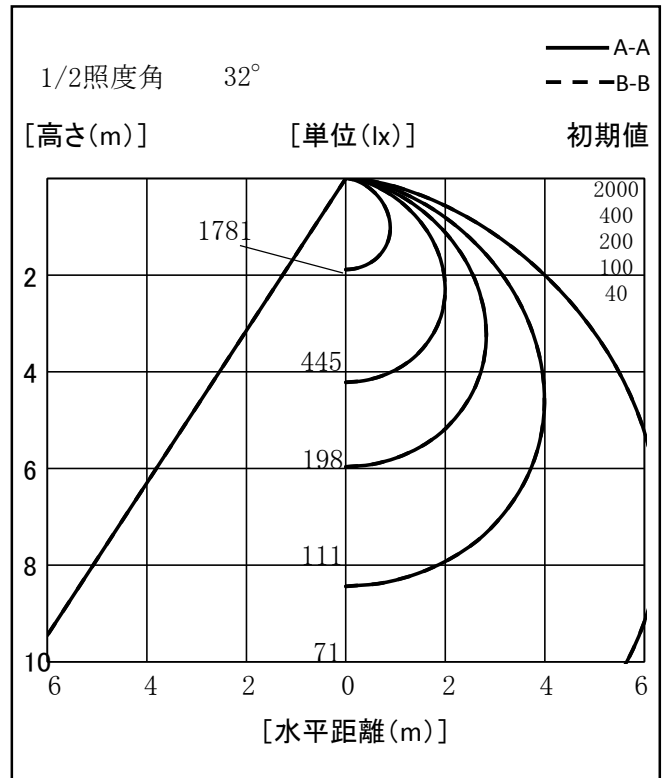
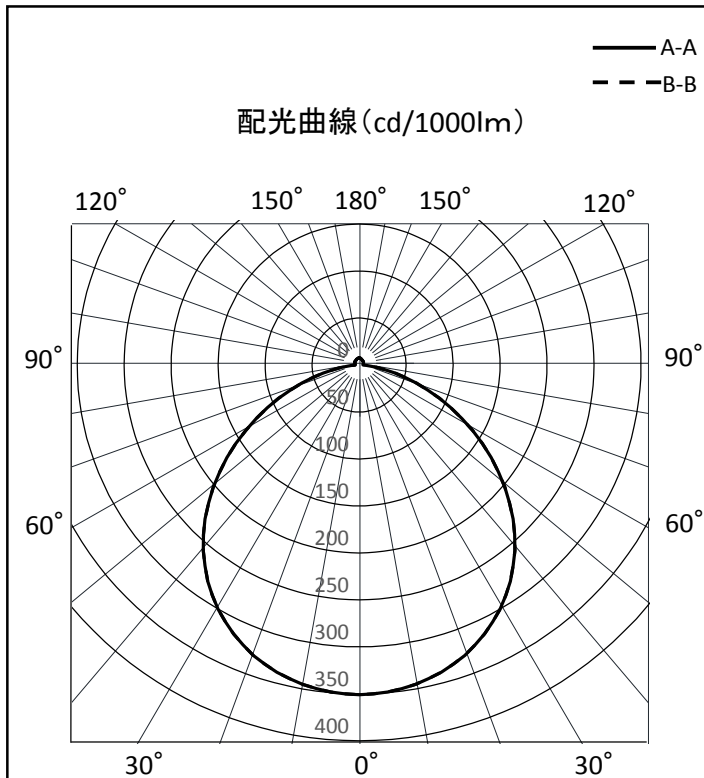
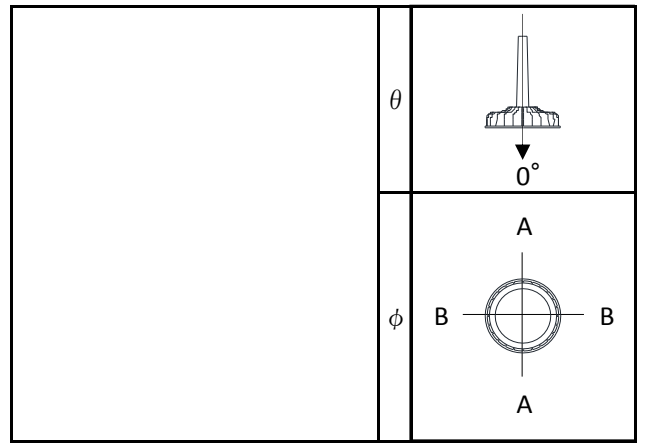
| 最大取付間隔 | |
|--------|--------|
| A-A | 1.27 H |
| B-B | 1.27 H |

| 備考 | |
|----|--|
| | |

※ A:上下 B:左右

| 反射率 | 照明率(×0.01) | | | | | | | | | | | | | | | | | | | | | | | |
|------|------------|----|----|----|-----|----|----|----|----|----|----|----|----|----|----|----|----|----|----|----|----|----|----|----|
| | 天井 | | | | 壁 | | | | 50 | | | | 30 | | | | 0 | | | | | | | |
| 天井 | 80 | | | | | | | | | | | | | | | | | | | | | | | |
| 壁 | 70 | 50 | 30 | 10 | 70 | 50 | 30 | 10 | 70 | 50 | 30 | 10 | 70 | 50 | 30 | 10 | 70 | 50 | 30 | 10 | 0 | 0 | 0 | 0 |
| 床 | 10 | | | | | | | | | | | | | | | | | | | | | | | |
| 室指数 | 照明率(×0.01) | | | | | | | | | | | | | | | | | | | | | | | |
| 0.6 | 57 | 45 | 38 | 33 | 55 | 45 | 38 | 33 | 53 | 44 | 37 | 33 | 51 | 43 | 37 | 33 | 51 | 43 | 37 | 33 | 31 | 28 | 28 | 28 |
| 0.8 | 65 | 55 | 47 | 42 | 64 | 54 | 47 | 42 | 61 | 53 | 46 | 41 | 59 | 51 | 46 | 41 | 59 | 51 | 46 | 41 | 39 | 35 | 35 | 35 |
| 1 | 72 | 62 | 55 | 49 | 70 | 61 | 54 | 49 | 68 | 60 | 53 | 49 | 65 | 58 | 53 | 48 | 65 | 58 | 53 | 48 | 46 | 42 | 42 | 42 |
| 1.25 | 78 | 69 | 62 | 57 | 76 | 68 | 61 | 56 | 73 | 66 | 60 | 56 | 71 | 65 | 60 | 56 | 71 | 65 | 60 | 56 | 53 | 49 | 49 | 49 |
| 1.5 | 82 | 74 | 67 | 62 | 80 | 73 | 67 | 62 | 77 | 71 | 66 | 61 | 75 | 69 | 65 | 61 | 75 | 69 | 65 | 61 | 59 | 55 | 55 | 55 |
| 2 | 88 | 81 | 76 | 71 | 86 | 80 | 75 | 71 | 83 | 78 | 74 | 70 | 81 | 76 | 72 | 69 | 81 | 76 | 72 | 69 | 67 | 63 | 63 | 63 |
| 2.5 | 91 | 86 | 81 | 77 | 90 | 85 | 80 | 76 | 87 | 83 | 79 | 76 | 84 | 81 | 77 | 75 | 84 | 81 | 77 | 75 | 72 | 68 | 68 | 68 |
| 3 | 93 | 89 | 85 | 81 | 92 | 88 | 84 | 81 | 89 | 86 | 82 | 79 | 87 | 84 | 81 | 78 | 87 | 84 | 81 | 78 | 76 | 72 | 72 | 72 |
| 4 | 96 | 92 | 89 | 86 | 95 | 91 | 88 | 86 | 92 | 89 | 87 | 84 | 90 | 87 | 85 | 83 | 90 | 87 | 85 | 83 | 81 | 77 | 77 | 77 |
| 5 | 98 | 95 | 92 | 89 | 96 | 94 | 91 | 89 | 94 | 92 | 89 | 87 | 92 | 90 | 88 | 86 | 92 | 90 | 88 | 86 | 83 | 79 | 79 | 79 |
| 10 | 101 | 99 | 98 | 96 | 100 | 98 | 97 | 96 | 97 | 96 | 95 | 94 | 95 | 94 | 93 | 92 | 95 | 94 | 93 | 92 | 89 | 85 | 85 | 85 |

| 光度値(cd/1000lm) | | |
|----------------|-----|-----|
| | A | B |
| 0 | 351 | 351 |
| 10 | 345 | 345 |
| 20 | 329 | 329 |
| 30 | 300 | 300 |
| 40 | 258 | 258 |
| 50 | 203 | 203 |
| 60 | 139 | 139 |
| 70 | 78 | 78 |
| 80 | 28 | 28 |
| 90 | 5 | 5 |
| 100 | 4 | 4 |
| 110 | 5 | 5 |
| 120 | 6 | 6 |
| 130 | 6 | 6 |
| 140 | 6 | 6 |
| 150 | 6 | 6 |
| 160 | 7 | 7 |
| 170 | 7 | 7 |
| 180 | 8 | 8 |



※LED素子にはバラツキがある為、発光色、明るさ等が異なる場合があります。

作成日 2015/09/16